

LUBRICATION ORDER

L05-4110-235-12

28 MAY 1982

REFRIGERATION UNIT, MECHANICAL,
 PANEL TYPE, 5,000 BTU/HR
 GASOLINE ENGINE DRIVEN (GED)
 MGR EQUIPMENT COPR. MODEL ERU-5G
 (NSN 4110-01-076-1991)

Reference C9100-IL

Intervals are based on normal hours of operation. Adjust to compensate for abnormal operation and severe conditions or contaminated lubricants. During inactive periods, sufficient lubrication must be performed for adequate preservation.

Clean fittings before lubricating.

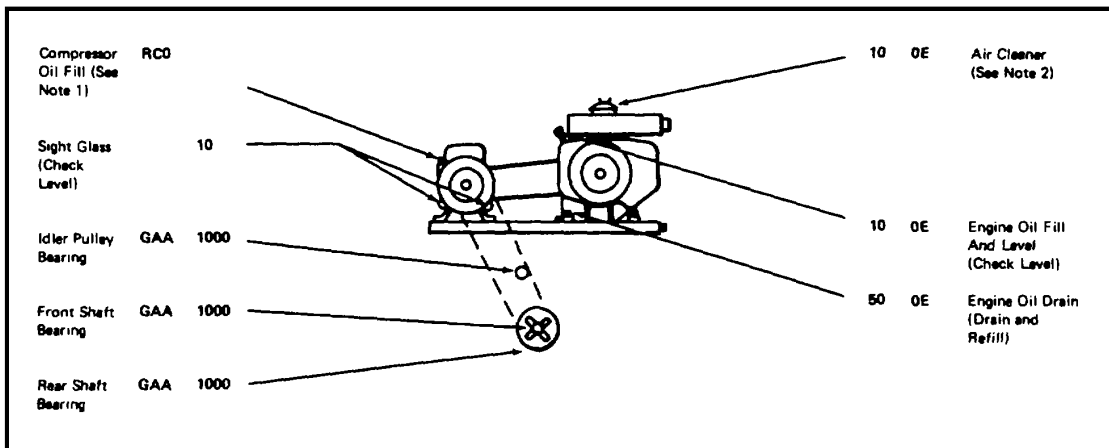
Clean parts with SOLVENT, dry cleaning, or with OIL, fuel, Diesel. Dry before lubricating.

Drain crankcase when hot. Fill and check level.

You can help improve this manual if you find any mistakes or if you know of a way to improve the procedures, please let us know. Mail your letter or DA Form 2028 (Recommended Changes to Publications and Blank Forms) direct to Commander, US Army Troop Support and Aviation Materiel Readiness Command, ATTN: DRSTS-MPSD, 4300 Goodfellow Blvd., St. Louis, MO 63120. A reply will be furnished to you.

LUBRICANT • INTERVAL

LUBRICANT • INTERVAL



TOTAL MAN-HR		TOTAL MAN-HR	
INTERVAL	MAN-HR	INTERVAL	MAN-HR
10	0.2	1000	0.2

KEY

EXPECTED TEMPERATURES					
LUBRICANTS	CAPACITY	Above +32 ⁰ F (0 ⁰ C)	+40 ⁰ F to -10 ⁰ F (4.44 ⁰ C to 2.22 ⁰ C)	0 ⁰ F to -65 ⁰ F (-17.78 to 18.33 ⁰ C)	TOTAL MAN-HR
GAA-GREASE, Automotive & Artillery		ALL TEMPERATURES			Intervals given are in hours of normal operation.
OE-OIL, Engine, Heavy Duty		DE/HD030	DE/MD010	DEA	
Crankcase	3-1/2 qts (3.31 Liter)				
Oil Cleaner	6 ounces (176.47 ml)				
OES-OIL, Engine, Sub-zero	S/A Above	ALL TEMPERATURES			
RCO-OIL, Lubri- cating, Re-grigerant, Compress	3-1/2 qts (3.31 Liters)				

Relubricate with lubricants specified in the key for temperatures below 10⁰F (.23⁰C).

NOTES:

1. COMPRESSOR UNIT. This unit will be serviced by Direct or General Support Personnel only.
2. AIR CLEANER. Refill oil reservoir to level mark every 50 hours; disassemble entire unit; re-oil and reassemble..
3. LUBRICANTS. The following is a list of lubricants with the Military Symbols and applicable Specification numbers.

OE = MILL 2104
 RCO = VV G 825
 GAA = MIL G 10924
 OES - MILL 10295

4. FOR OPERATION OF EQUIPMENT IN PROTRACTED COLD TEMPERATURES BELOW 10⁰F (.23⁰C). Remove lubricants prescribed in the key for temperatures above 10⁰F (12⁰c).

Copy of this Lubrication Order will remain with the equipment at all times. Instructions contained herein are mandatory.

By Order of the Secretary of the Army:

Official E.C. MEYER
General, United States Army
Chief of Staff

ROBERT M. JOYCE
Brigadier General, United States Army
The Adjutant General

LO 5-4110-235-12 DISTRIRUTION: To be distributed In accordance with DA Form 12-25C, Operator Maintenance Requirements for Refrigeration Equipment..

RECOMMENDED CHANGES TO EQUIPMENT TECHNICAL PUBLICATIONS



THEN... JOT DOWN THE DOPE ABOUT IT ON THIS FORM, CAREFULLY TEAR IT OUT, FOLD IT AND DROP IT IN THE MAIL!

SOMETHING WRONG WITH THIS PUBLICATION?

FROM: (PRINT YOUR UNIT'S COMPLETE ADDRESS)

DATE SENT

PUBLICATION NUMBER

PUBLICATION DATE

PUBLICATION TITLE

BE EXACT... PIN-POINT WHERE IT IS

IN THIS SPACE TELL WHAT IS WRONG AND WHAT SHOULD BE DONE ABOUT IT:

PAGE NO.	PARA-GRAPH	FIGURE NO.	TABLE NO.
----------	------------	------------	-----------

TEAR ALONG PERFORATED LINE

PRINTED NAME, GRADE OR TITLE, AND TELEPHONE NUMBER

SIGN HERE:

DA FORM 2028-2 JUL 79

PREVIOUS EDITIONS ARE OBSOLETE.

P.S.—IF YOUR OUTFIT WANTS TO KNOW ABOUT YOUR RECOMMENDATION MAKE A CARBON COPY OF THIS AND GIVE IT TO YOUR HEADQUARTERS.

